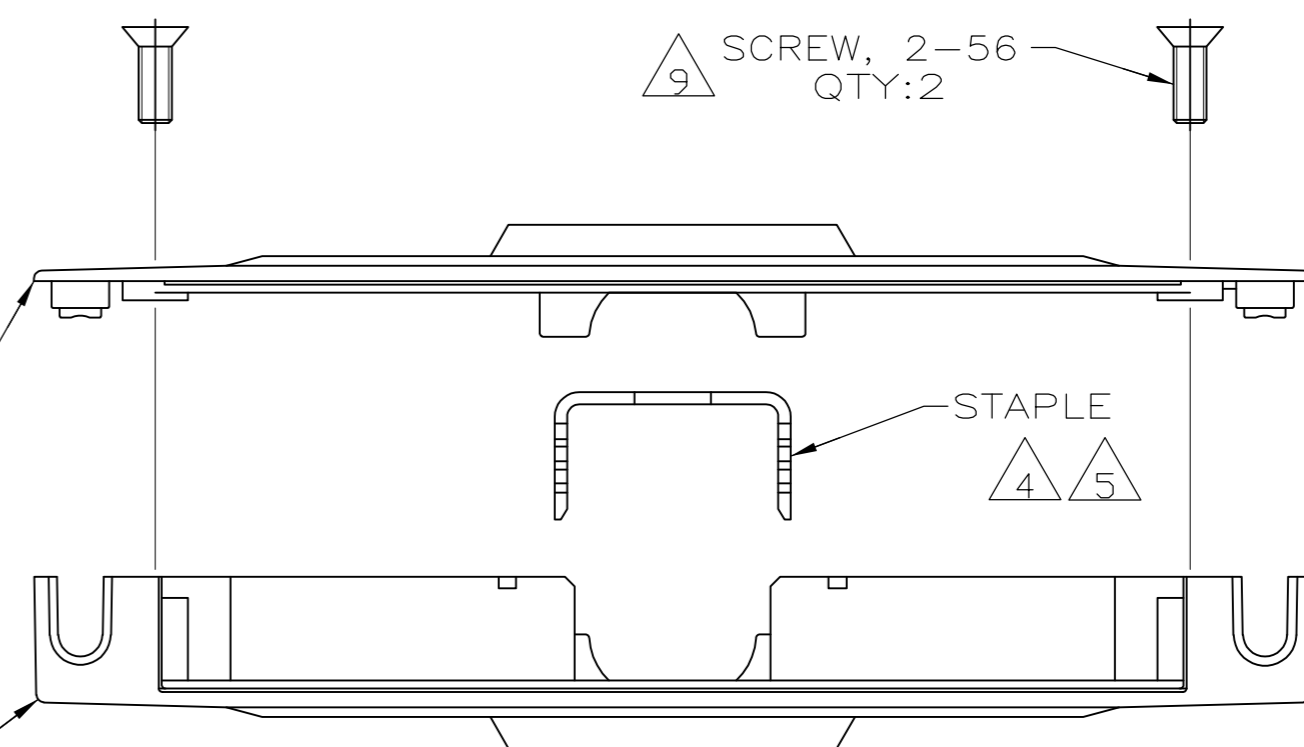
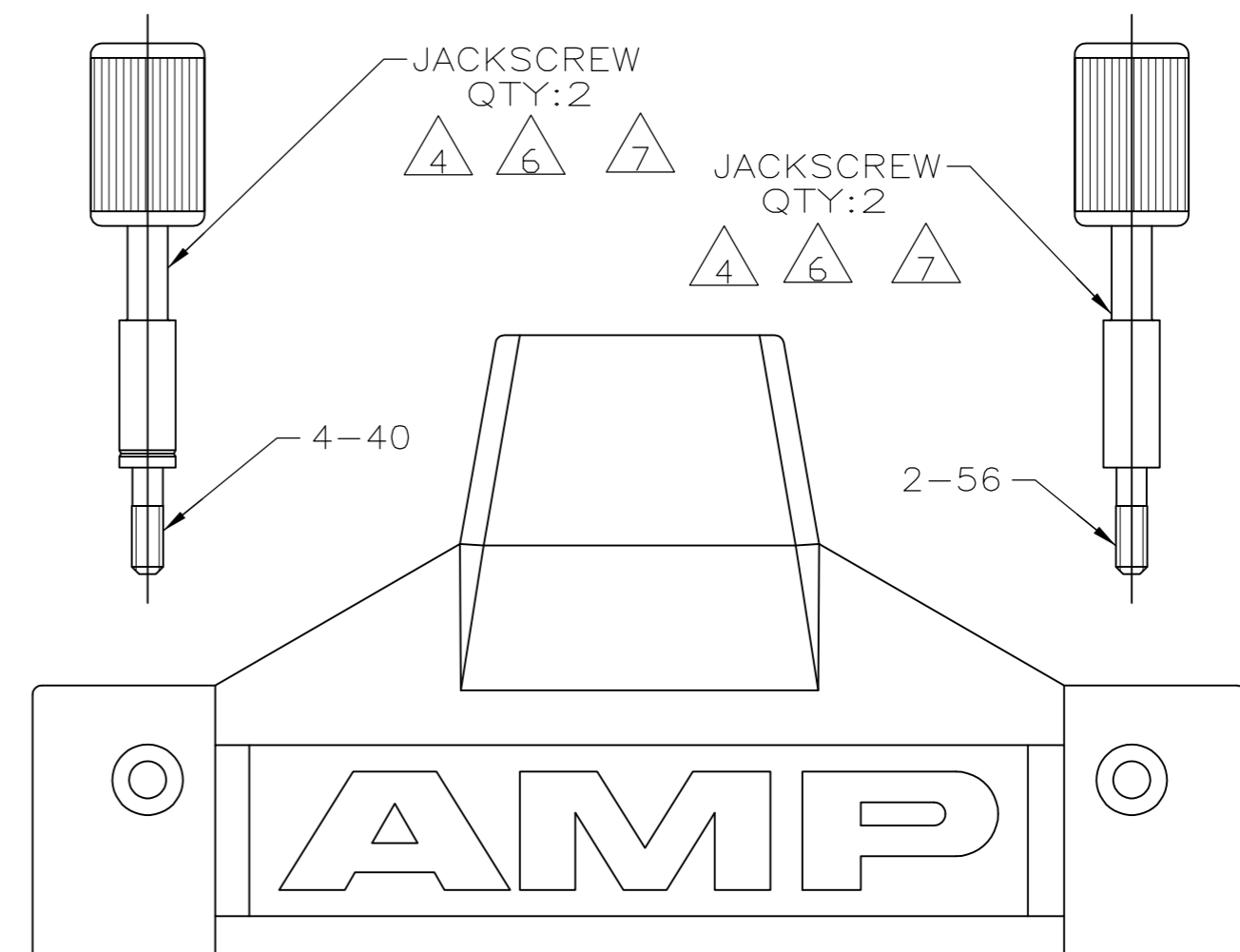
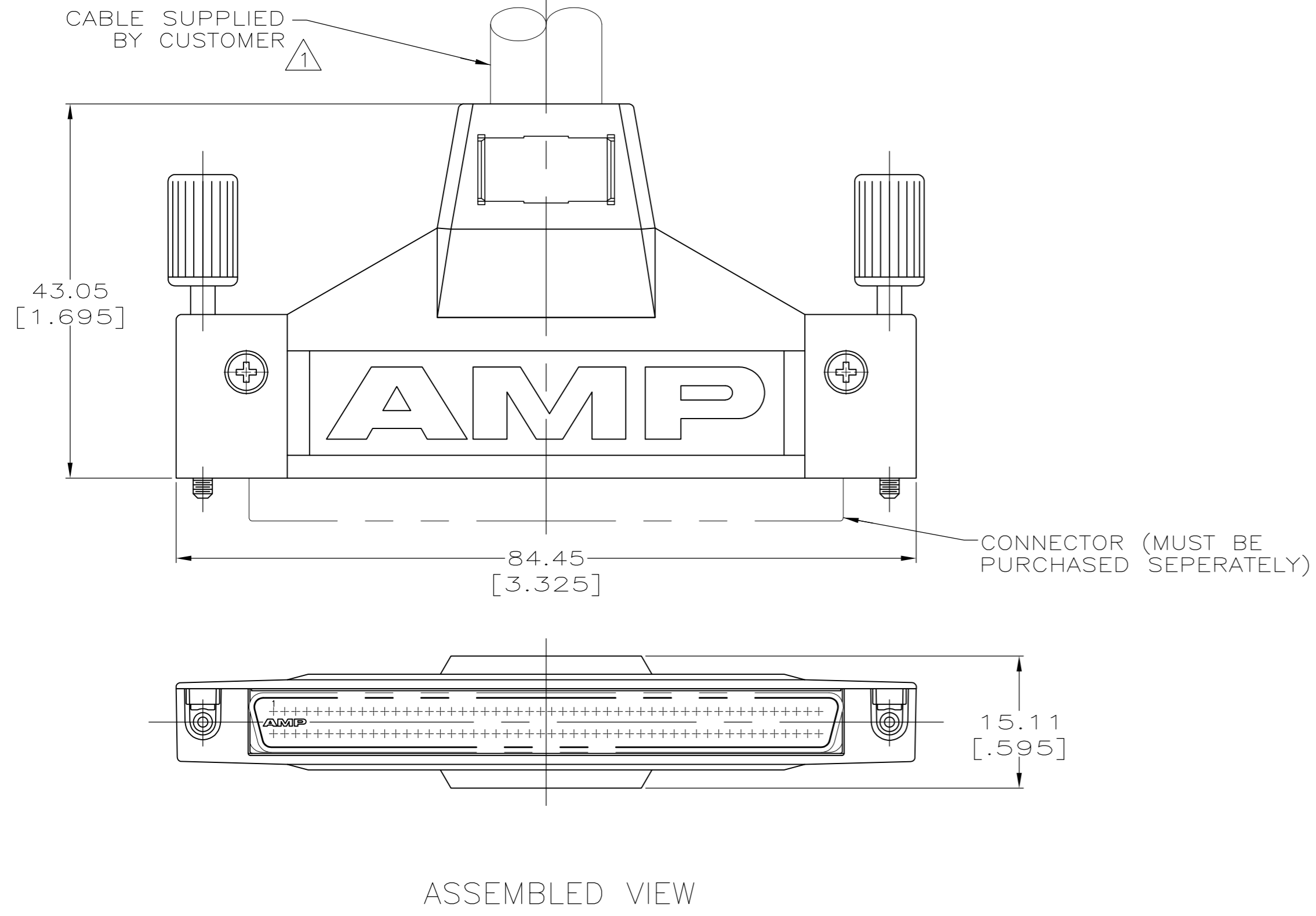


THIS DRAWING IS UNPUBLISHED. RELEASED FOR PUBLICATION  
 © COPYRIGHT - By - ALL RIGHTS RESERVED.

LOC		DIST		REVISIONS			
P	LTR	DESCRIPTION	DATE	DWN	APVD		
GP	00						
	R	REVISED PER ECO-11-012218	14JUL2011	CJV	SLB		



- 1 12.70 [.500] MAX CABLE DIA.
- 2 ZINC.
- 3 NICKEL PLATED.
- 4 STEEL.
- 5 BRIGHT TIN PLATED.
- 6 POLYPROPYLENE OR NYLON, UL94V-0 RATED, BLACK.
- 7 BLACK ZINC PLATED.
- 8 PARTS PACKAGED AS A UNIT KIT.
- 9 STAINLESS STEEL.

THIS DRAWING IS A CONTROLLED DOCUMENT.		DWN	G.PETERS	25AUG05
DIMENSIONS: INCHES		CHK	S.SHUEY	25AUG05
TOLERANCES UNLESS OTHERWISE SPECIFIED:		APVD	M.WALMSLEY	25AUG05
0 PLC	± -	PRODUCT SPEC		
1 PLC	± -	APPLICATION SPEC		
2 PLC	± 0.38 [.015]			
3 PLC	± -			
4 PLC	± -			
ANGLES	± -			
MATERIAL	FINISH	WEIGHT		
-	-	-		

4-40	5749081-2		
2-56	5749081-1		
JACKSCREW THREAD	PART NO.		
<b>TE</b> TE Connectivity			
NAME: INDIVIDUAL KIT, BACKSHELLS WITH MALE JACKSCREWS, 100 POSITION AMPLIMITE .050 SERIES			
SIZE	CAGE CODE	DRAWING NO	RESTRICTED TO
A2	00779	C=5749081	-
CUSTOMER DRAWING		SCALE	SHEET
		2:1	1 of 1
		REV	R